

Auto-transformer to control speed for voltage controllable motors, with high benefits and applicable for small engines and all kinds of domestic or industrial facilities. Naked transformer, to mount into a box or cabinet. The specified current can be taken from each tapping.

Specifications

Supply voltage: 230Vac / 50Hz
 Max intensity: 1.5A –20A according model
 Control type: 7 tappings
 Output: 0-80-100-120-150-170-190-230V
 Connection: Terminal Block Ip20 or solder tags IP00
 Enclosure: Non, IP00

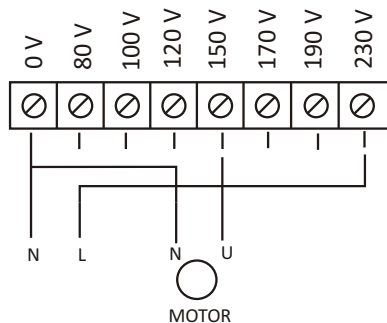
Advantages

Special for ventilation systems
 High quality and low price
 Easy installation, with mounting brackets

CE Norms

These transformers comply with following mentioned European norms:
 EN 6158
 RoHS compliant

Wiring diagram



MODEL	CODE TERMINALS	CODE SOLDER TAGS	INTENSITY	DIMENSIONS (mm)
ATFO 230V 1,5A	125001		1,5A	84 x 70 x 90
ATFO 230V 2,2A	125002		2,2A	84 x 78 x 90
ATFO 230V 3,5A	125003		3,5A	96 x 90 x 100
ATFO 230V 5,0A	125004		5,0A	108 x 92 x 109
ATFO 230V 7,5A	125005		8,0A	126 x 101 x 124
ATFO 230V 10,0A	125006		10,0 A	126 x 111 x 124
ATFO 230V 13,0A	125007		13,0A	150 x 140 x 144
ATFO 230V 16,0A	125008		16,0A	
ATFO 230V 20,0A	125009		20,0A	